

# AVURE QUINTUS<sup>®</sup>

## Hot Isostatic Presses

**SAFETY** - Leak-rather-than-break design with Avure QUINTUS, prestressed pressure vessel technology.

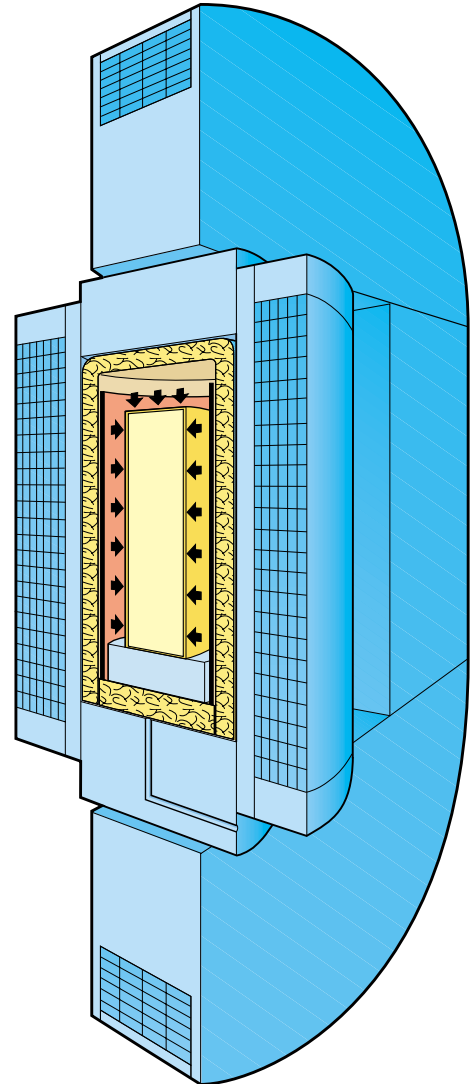
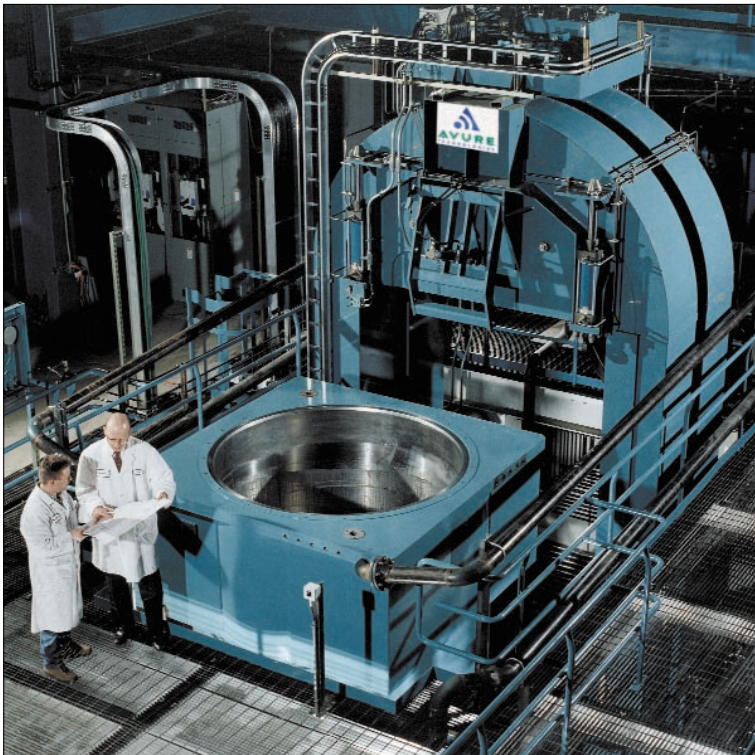
**PRODUCTIVITY** - Unique rapid heating and rapid cooling give Avure QUINTUS hot isostatic presses a quicker return on investment

**TOTAL COST** - Lower costs to operate and maintain are proven benefits of Avure QUINTUS hot isostatic presses.

**LIFE LENGTH** - Experience indicates that properly maintained Avure QUINTUS hot isostatic presses will be in operation for 30 years or more.

**EXPERIENCE** - More than 300 Avure QUINTUS hot isostatic presses have been delivered in the past 30 years

**CUSTOMER SUPPORT** - Avure QUINTUS has more customer support people than most competitors have total employees.



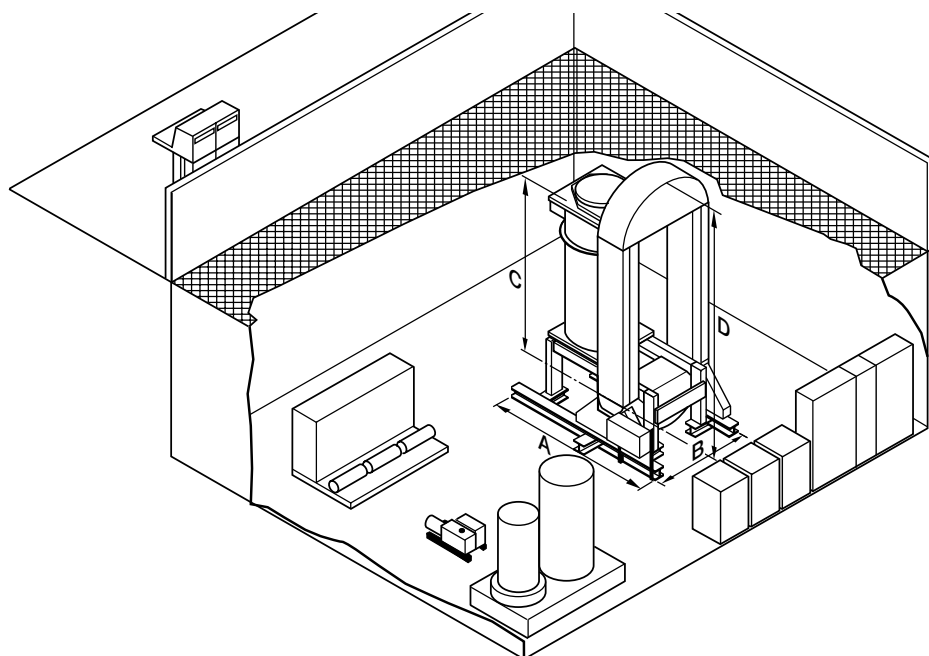
### Avure Pressure Systems

- where value in advanced hot isostatic presses comes as standard

Avure Technologies



# Main Dimensions of the Press



Standard range

Molybdenum furnace Diameter x height mm inch		Graphite furnace Diameter x height mm inch		A m	B m	C m	D m
310 x 889	12.2 x 35.0	300 x 1060	11.8 x 41.7	1.9	1.4	2.7	3.5
385 x 1200	15.1 x 47.2	374 x 1150	14.7 x 45.2	2.5	1.5	3.5	4.1
458 x 1397	18.2 x 55.0	432 x 1275	17 x 50.2	2.7	1.7	3.7	4.7
528 x 1500	20.7 x 59.0	500 x 1500	19.7 x 59.0	3.0	2.0	4.0	5.0
650 x 1800	25.6 x 70.8	620 x 1700	24.4 x 66.9	3.2	2.1	4.2	5.2
850 x 2000	33.5 x 78.7	834 x 1900	32.8 x 74.8	3.3	2.2	4.3	5.4
1067 x 2540	42.0 x 100	1000 x 2500	39.4 x 98.4	6.1	4.3	6.7	8.8
1210 x 2540	47.6 x 100	1120 x 2500	44.1 x 98.4	6.3	4.6	6.9	9.9
1624 x 2540	63.9 x 100	1450 x 2500	57.0 x 98.4	8.9	5.1	7.8	10.9

Standard pressures are 100 MPa (15,000 psi) and 200 MPa (30,000 psi). Other pressure levels can be supplied.

Standard temperature for graphite furnaces at pressures higher than 20MPa (2900 psi) is 2000°C (3600°F).

Standard temperatures for Molybdenum furnaces are 1260°C (2300°F) and 1400°C (2550°F)

See also our standard range of Mini-hippers from Flow Autoclave Systems Inc., USA – sizes from diameter 95 mm (3.75") to diameter 254 mm (10").

**Avure Technologies AB**  
SE-721 66 Västerås, Sweden  
Telephone +46 21 32 70 00  
Telefax +46 21 14 18 17  
www.avure.com

**Pamphlet 2002-4-120E**  
Printed in Sweden, 2002-02  
50